
Installation instructions and processes (Front Column+Foundation)

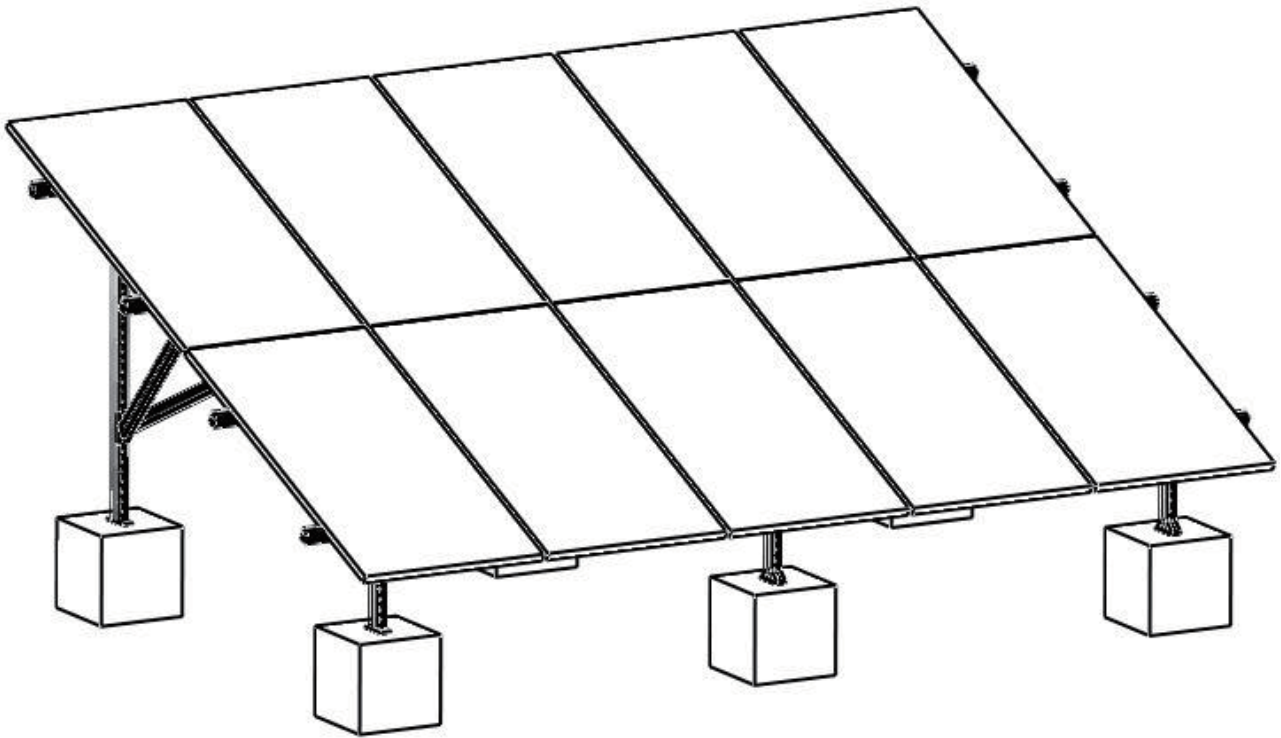


Table of Content

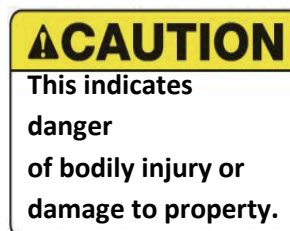
| | | |
|----------|--|-------|
| | Safety and Installer Responsibilities..... | 3 |
| | - For Installation Personnel..... | 3 |
| | - Safety Icons..... | 3 |
| | - For Safe Installation Work..... | 3 |
| | | |
| 1 | Introduction..... | 4-5 |
| | 1.1 Introduction of system..... | 4-5 |
| | | |
| 2 | Installation Tools, Planning & Components | 5-6 |
| | 2.1 Tools Required for Installation..... | 5 |
| | 2.2 Components List & System Components..... | 6 |
| | | |
| 3 | Installation Procedure..... | 7-14 |
| | 3.1 Install column(triangle connection)..... | 7-9 |
| | 3.2 Install cant beam、 diagonal support..... | 10 |
| | 3.3 Install rear diogonal tie..... | 11 |
| | 3.4 Install rail..... | 12-13 |
| | 3.5 Install module..... | 13-14 |
| | 3.6 Installation complete..... | 14 |

SAFETY AND INSTALLER RESPONSIBILITIES

For Installation Personnel

- It is critically important that safety practices are observed when installing this product. Please read this manual carefully before installing the system and carry out the installation procedures correctly.
- This manual provides guidelines for installation, but it does not guarantee the quality of installation work. Please complete all work in a responsible and professional manner. Electrical work should be performed by a qualified electrician.

Safety Icons



For Safe Installation Work

- ✓ Do not cut or modify this system.
- ✓ Do not throw or roughly handle any components.
- ✓ Stop work during stormy weather.
- ✓ Always use the supplied parts to attach the solar modules and mounts.
- ✓ Always use the specified tools. The solar modules or mounts may fall if the installation is not strong enough, for example when parts are not tightened sufficiently.
- ✓ Regardless of whether you are working on a new or existing roof, never allow the sheathing to become wet. Protect the sheathing from rain during the installation. Failure to do so may cause leaks.
- ✓ Do not modify or cut parts.
- ✓ Wear appropriate work clothes and protective equipment.
- ✓ Observe safety regulations for ascending and descending ladders and stepladders.
- ✓ Protect against falling objects. Do not allow third parties to enter the work area during installation.



1. Introduction

The mounting system is a pre-installed ground solar mount system. It applies to the large-scale commercial and other multifunctional usage. The mounting system could be suitable for all kinds of modules. The creative and unique rail could provide much more convenience and accuracy during the installation. The mounting system will save the client's time and cost by supplying the high quality components especially for the large scale project.

Please review the installation manual thoroughly before installing the mounting system. This manual provides supporting documentation for building permit applications relating to the mounting system and planning and installation procedure for the mounting system.

Please install the mounting system as per these instructions and processes strictly. During the installation, please pay attention to the relevant regulations of your local region.

Installation personnel should comply with the following specification:

- Adhere to construction standards which include any that may replace the manual applicable local or national building codes;
- Ensure the brackets can be suitable for your installation environment;
- Please use the accessories offered by us. (If use other accessories not offered by us, we do not undertake any responsibility about them);
- How to recycle, according to the local relevant laws and regulations;
- How to remove: according to the installation steps;
- Ensure that not less than two professional solar panel installation members;

- Ensure by a professional electrician to complete the installation of the electrical equipment;
- Ensure the safety of the electrical components installed pv matrix.

2. Installation Tools, Planning & Components

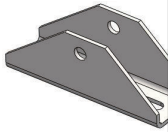
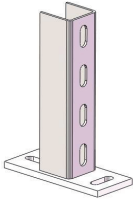




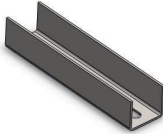
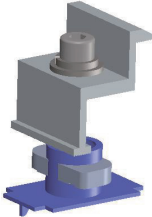
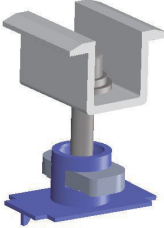

2.1 Tools Required for Installation



- Allen wrench,
- Electric tools,
- Adjustable wrench,
- Rope,
- 5 meters measuring tape



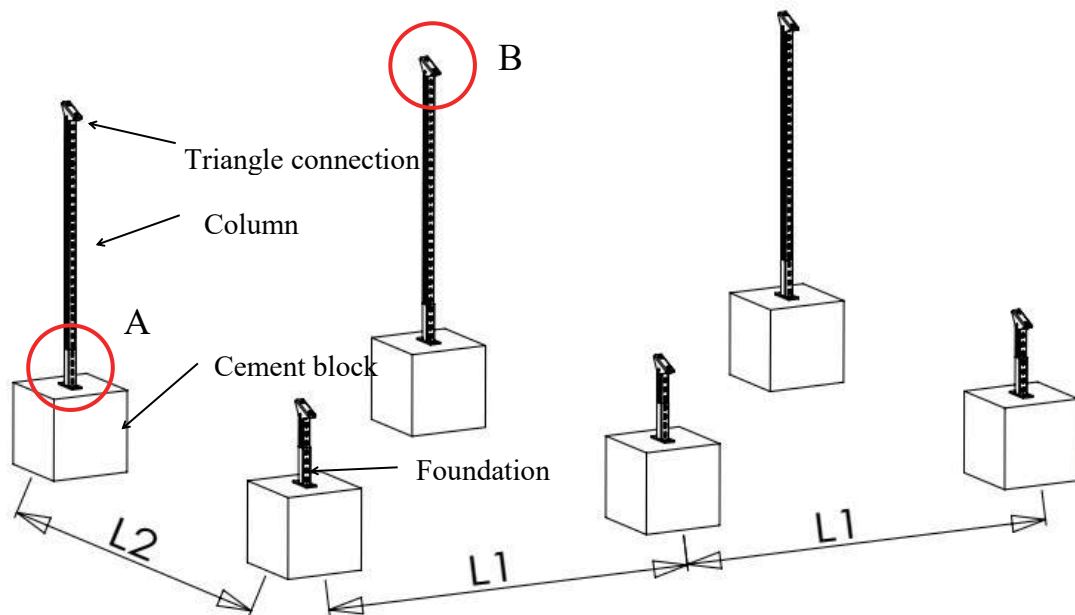
2.2 Components List & System Components

| | | | | | |
|----------|---|---|---|--|---|
| Photo |  |  |  |  |  |
| Name | Triangle connection | Foundation | Column | Diagonal support | Cant beam |
| Material | Q235B | Q235B | Q235B | Q235B | Q235B |
| Photo |  |  |  |  |  |
| Name | Rail | Rail connection | End clamp | Mid clamp | Inside hexagonal bolt |
| Material | Q235B | Q235B | AL6063-T5 | AL6063-T5 | SUS304 |
| Photo |  | | | | |
| Name | Expansion bolt | | | | |
| Material | SUS304 | | | | |

3.Installation Procedure

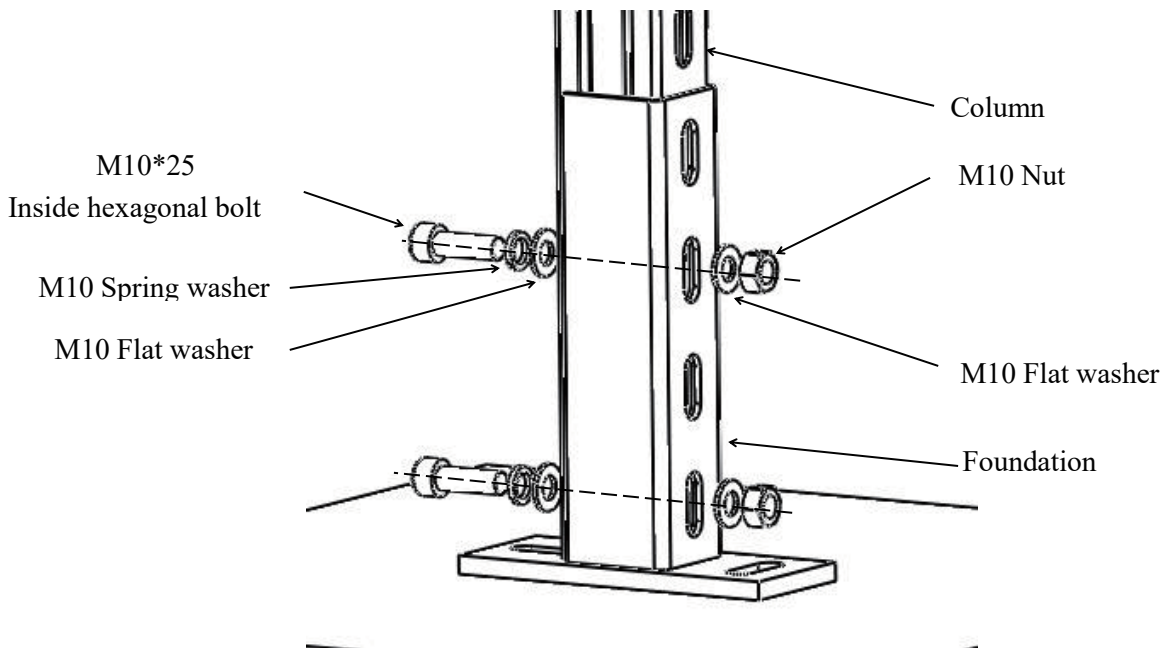
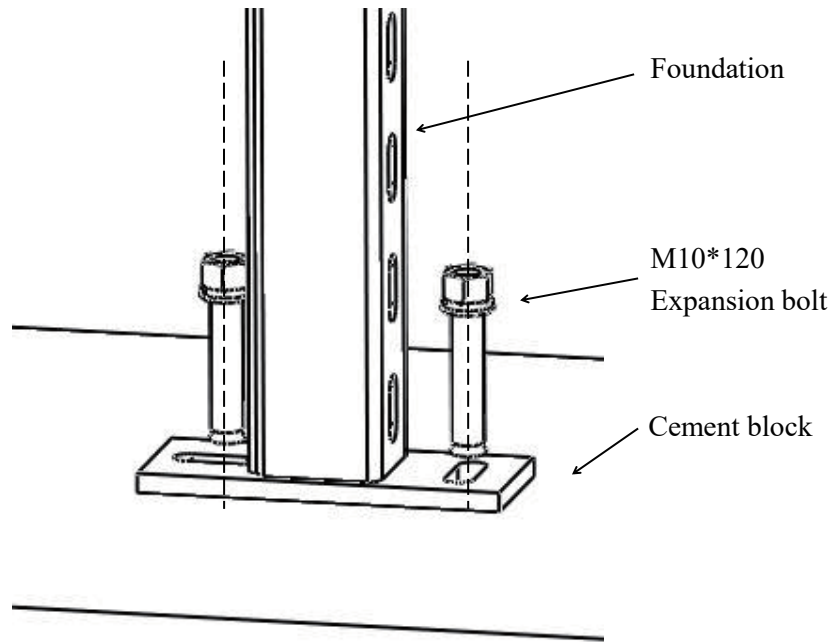
3.1 Install Column

Connect the foundation and cement block with expansion bolt.
Connect the column and foundation with inside hexagonal bolt.
The columns should be guaranteed that in the same horizontal line

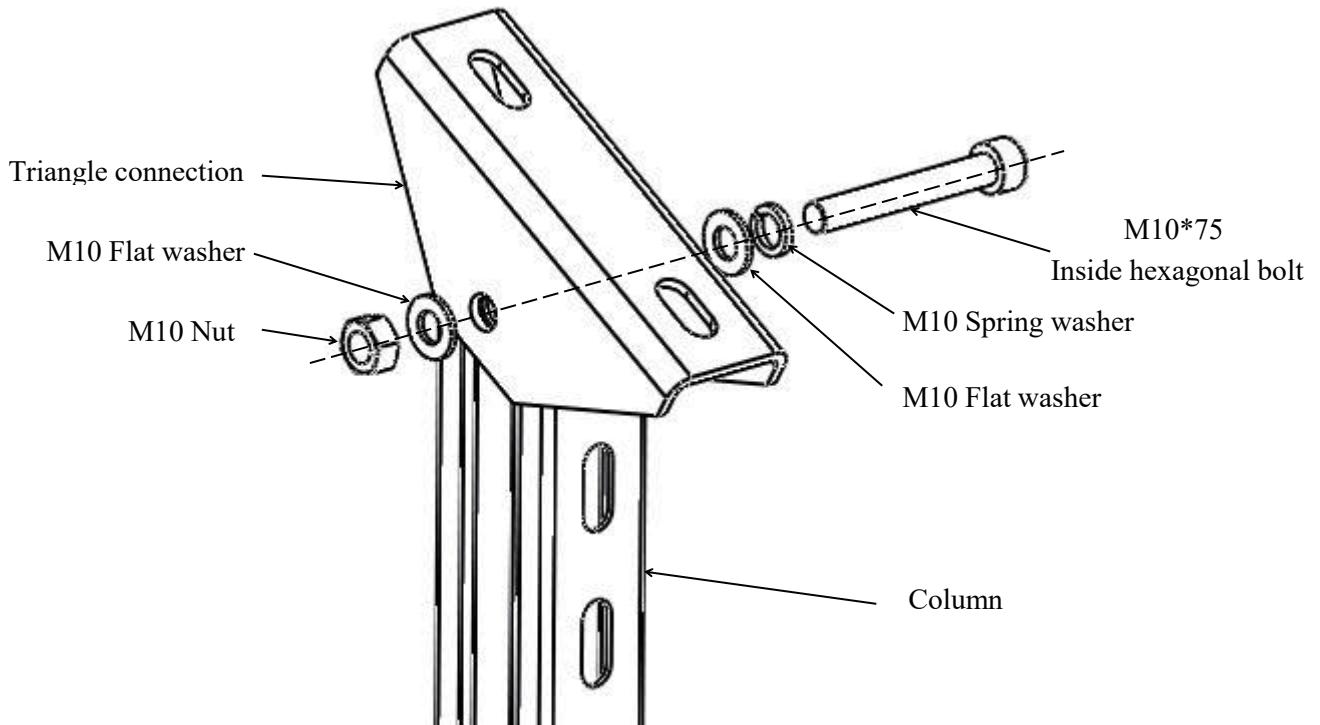


Note:L1 is the centre distance between the right and left column, and allowance is $\pm 10\text{mm}$;
L2 is the centre distance between the front and rear column, and allowance is $\pm 10\text{mm}$

A:

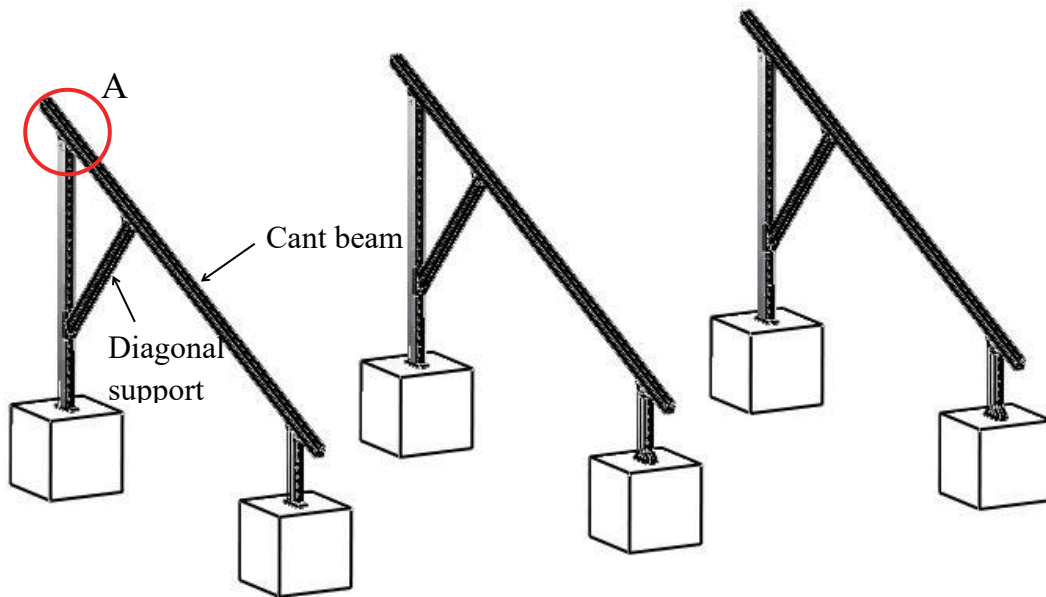


B:

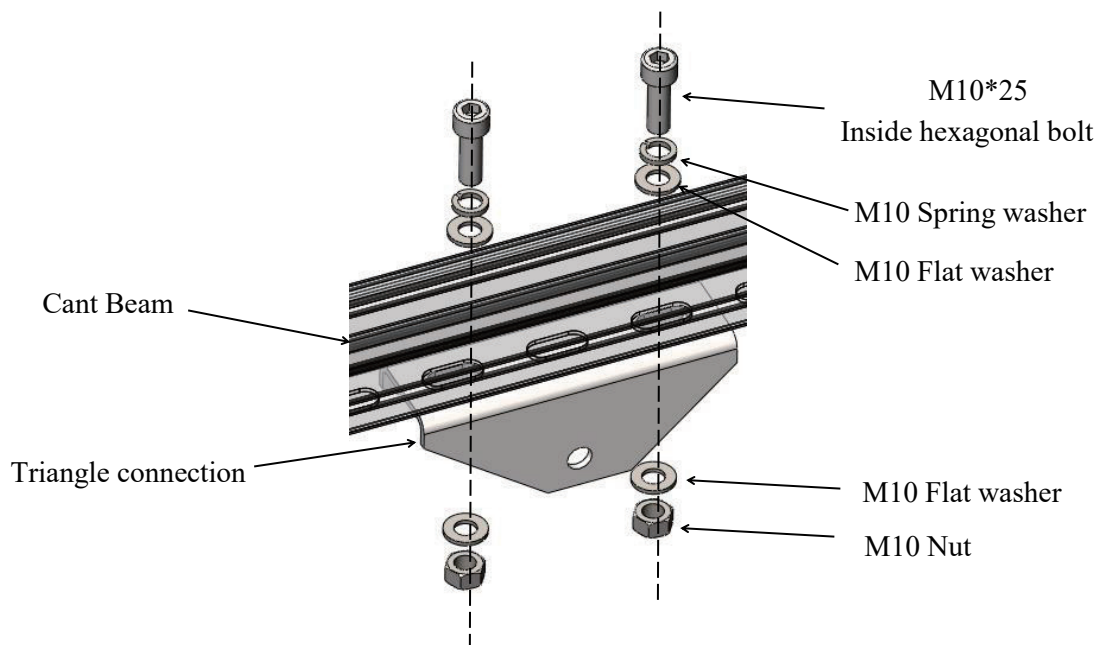


3.2 Install cant beam and giagonal support

Connect the cant beam and triangle connection with inside hexagonal bolt.

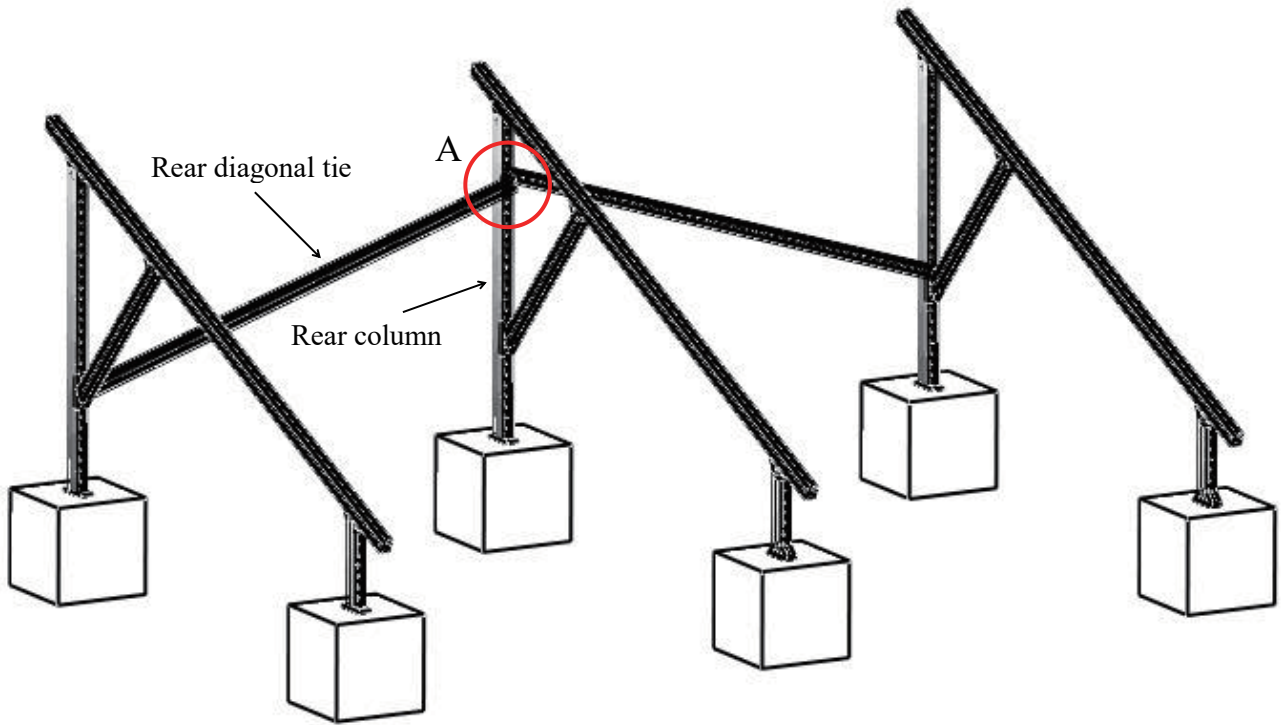


A:

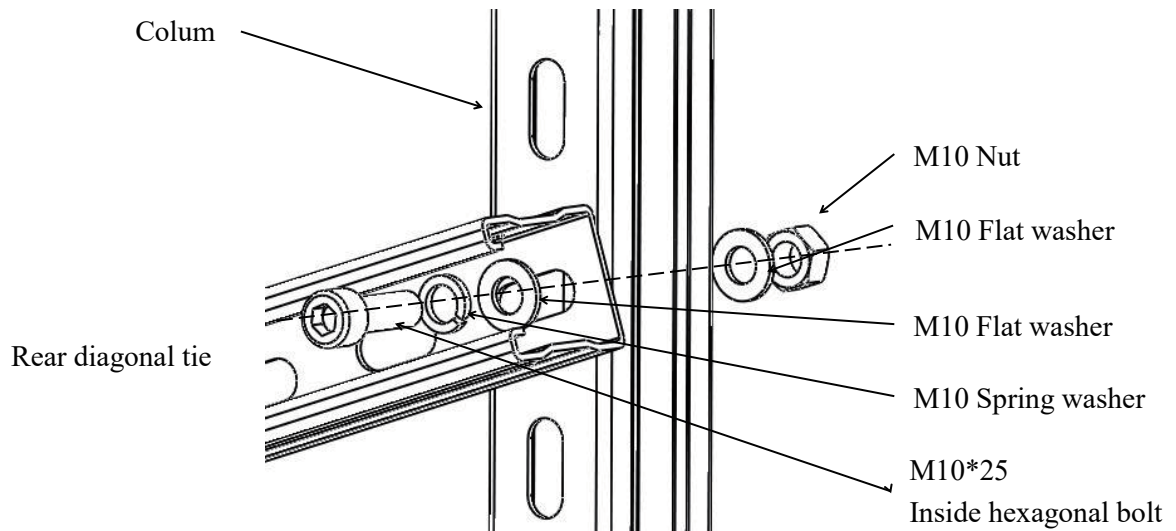


3.3 Install rear diagonal tie

Connect the rear diagonal tie and the rear column with inside hexagonal bolt.

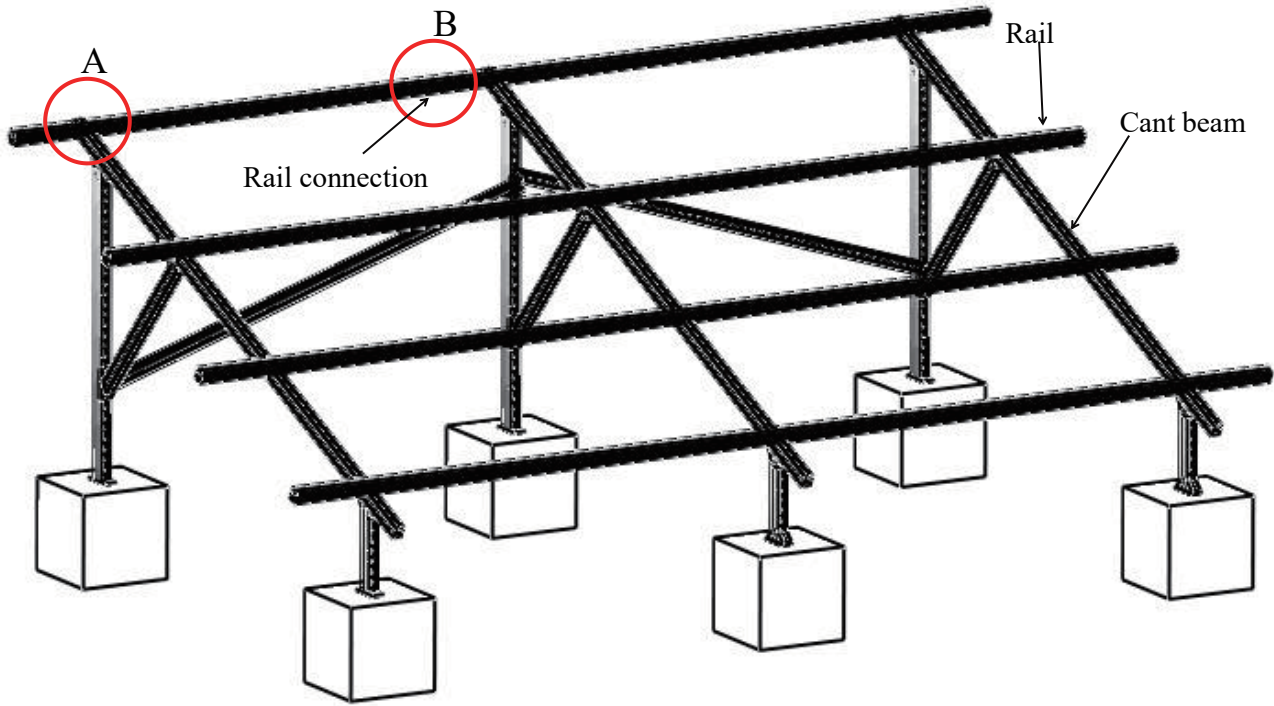


A:

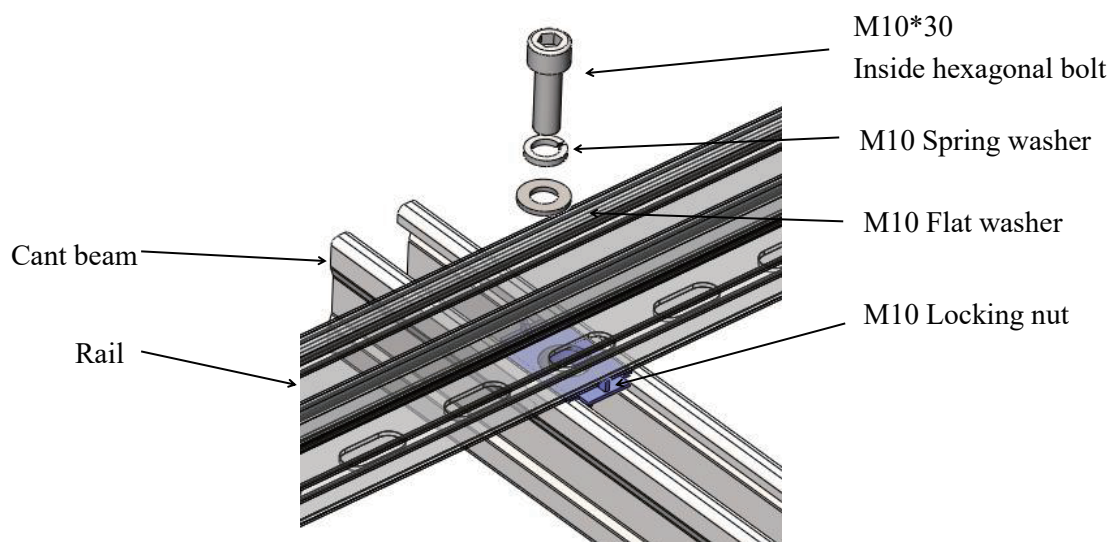


3.4 Install Rail

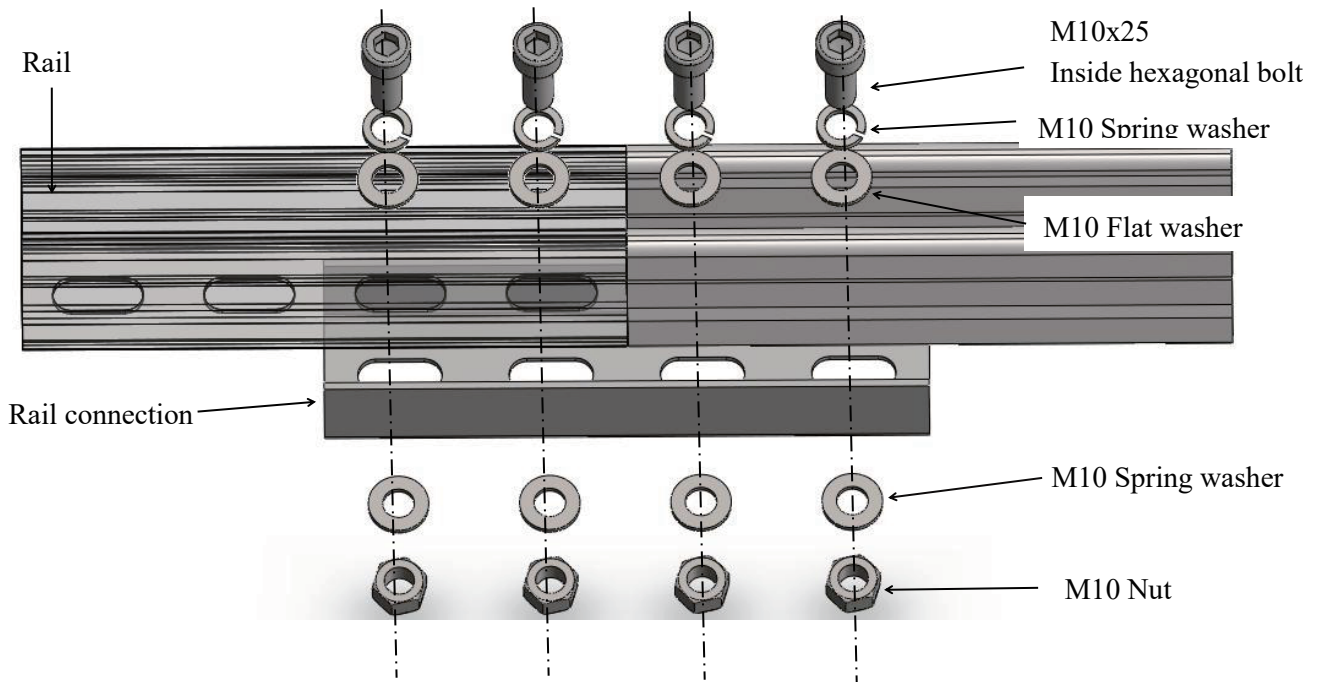
Connect the rail and cant beam with inside hexagonal bolt.



A:

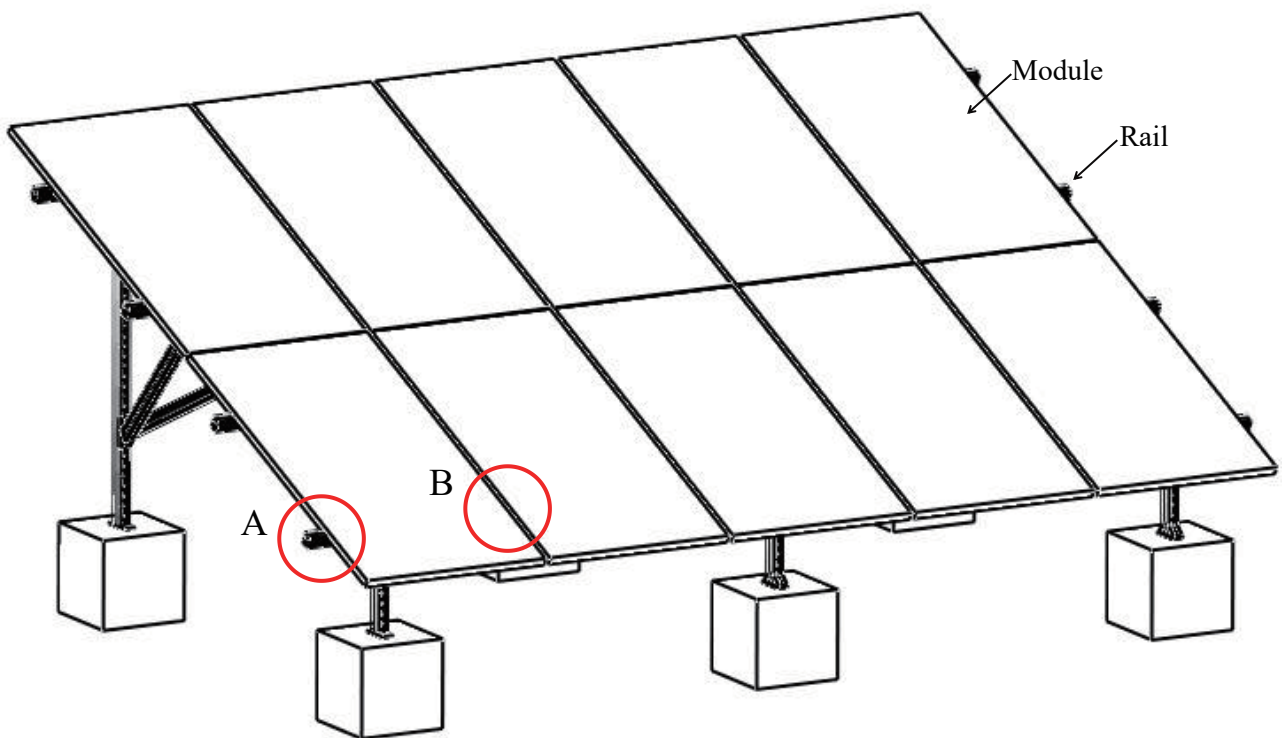


B:

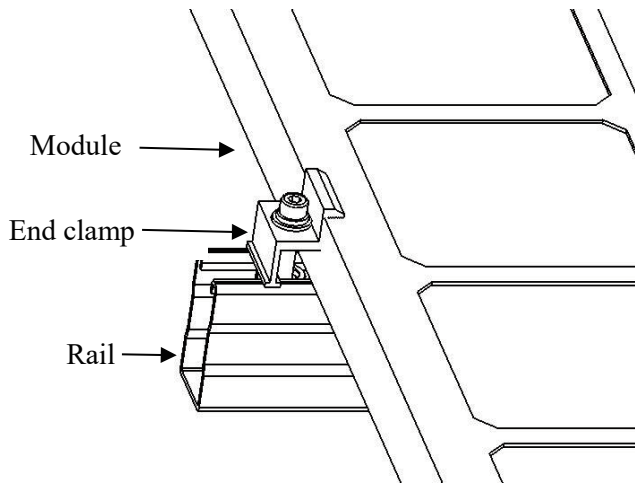


3.5 Install Module

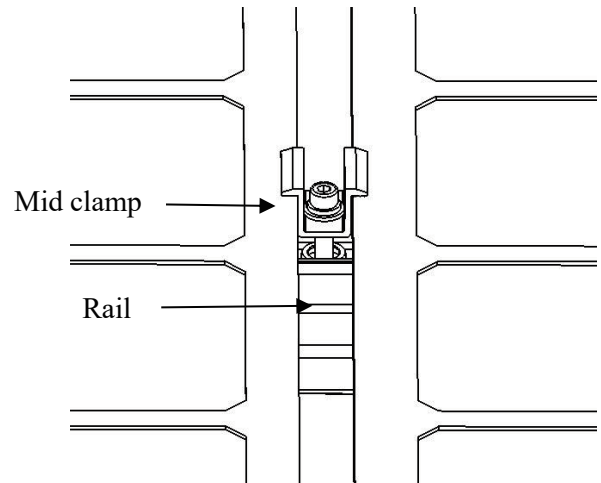
Connect the module and rail with mid and end clamp.



A:



B:



3.6 Installation complete